

Shelf for outdoor air conditioners KLIMA

Shelves for external conditioners.



Air conditioners



Air conditioners

Concrete
Full brick in brick
Semi-solid brick (perforated vertically) in brick

ADVANTAGES

Shelves in galvanized and painted steel powder.

Shelves with anti-vibration feet
The Commission's proposal for a Council Directive on the approximation of the laws of the Member States relating to the approximation of the laws of the

Stainless steel screws in KLIMA articles

STRONG INOX and KLIMA TOP SCREWS INOX.

- KLIMA STRONG and KLIMA HEAVY non-standard machines.
- KLIMA TOP shelf to have the massimo of quality.
- KLIMA anti-vibration bases available GROUND and KLIMA FOOT for installation floorstanding.

APPLICATIONS

Support for conditional external units wall namento

Support for external floor units

OPERATION

The horizontal crossbar facilitates the positioning and adjustment of the shelves.

KLIMA KLIK range with

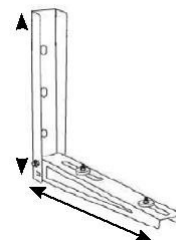
quick assembly.

Shelf for outdoor air conditioners KLIMA

TECHNICAL DATA



Pair of quick coupling brackets for external air conditioners **KLIMA EASY KLIK**

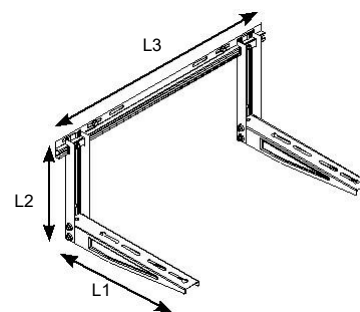


	steel galvanized	Length arm	Height	Length crossbar	Thickness stirrups	Contains	Color	Packaging
Product	Art. No	L1 [mm]	L2 [mm]	L3 [mm]	s			[pz]
KLIMA EASY KLIK	521760	420	400	-	15/10	1 pair of KLIMA EASY KLIK brackets, 4 nylon dowels SX 12 BM	White RAL 9002	1

TECHNICAL DATA



Quick coupling shelf with crossbar for external air conditioners **KLIMA KLIK**

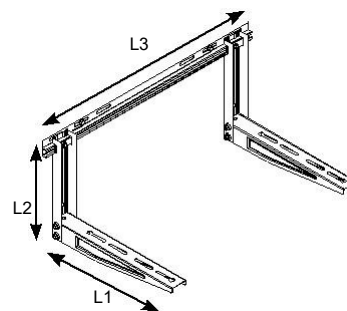


		Length arm	Height	Length crossbar	Thickness stirrups	Contains	Color	Packaging
Product	Art. No	L1 [mm]	L2 [mm]	L3 [mm]	s			[pz]
KLIMA KLIK 420	521761	420	400	780	15/10	1 shelf KLIMA KLIK 420, 3 nylon dowels SX 12 BM	White RAL 9002	1
KLIMA KLIK 465	524500	465	400	820	15/10	1 shelf KLIMA KLIK 465, 3 nylon dowels SX 12 BM	White RAL 9002	1

TECHNICAL DATA



Shelf pre-assembled with transom for medium size outdoor air conditioners **KLIMA STRONG**



		Length arm	Height	Length crossbar	Thickness stirrups	Contains	Color	Packaging
Product	Art. No	L1 [mm]	L2 [mm]	L3 [mm]	s			[pz]
KLIMA STRONG	521762	560	400	800	20/10	1 shelf KLIMA STRONG, 4 nylon dowels SX 12 BM	White RAL 9002	1

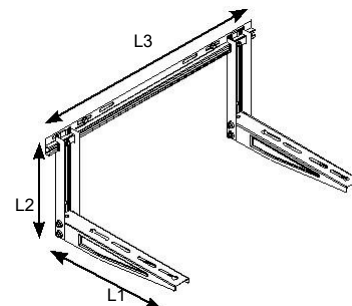
Shelf for outdoor air conditioners KLIMA

TECHNICAL DATA



Shelf pre-assembled with transom for large outdoor air conditioners

KLIMA HEAVY



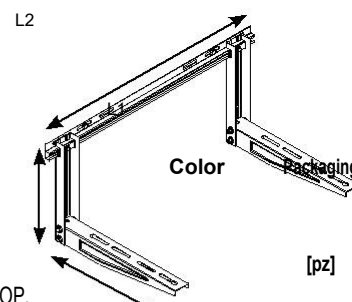
Product	Art. No	Length arm	Height	Length crossbar	Thickness stirrup	Contains	Color	Packaging
		L1 [mm]	L2 [mm]	L3 [mm]	s			
KLIMA HEAVY	534124	560	400	960	20/10	1 shelf KLIMA HEAVY, 6 nylon dowels SX 12 BM	White RAL 9002	[pz] 1

DATA							
							L3

Shelf with crossbar for air conditioners esterni **KLIMA TOP**



Length arm L1 [mm]
Height L2 [mm]
Length crossbar L3 [mm]
Thickness stirrup s



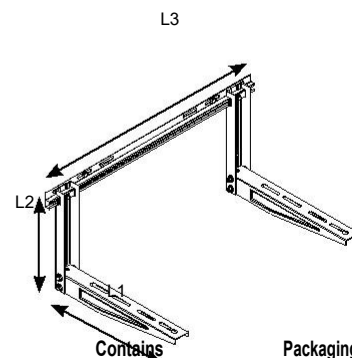
Product	Art. No	Length arm L1 [mm]	Height L2 [mm]	Length crossbar L3 [mm]	Thickness stirrup s	Contains	Color	Packaging [pz]
KLIMA TOP	521763	480	400	850	15/10	1 shelf KLIMA TOP, 3 nylon dowels SX 12 BM	White RAL 9002	1

KLIMA TOP STAINLESS STEEL SCREWS	524501	480	400	850	15/10	1 shelf KLIMA TOP, 3 nylon dowels SX 12 BM with stainless steel screw	White RAL 9002	1
----------------------------------	--------	-----	-----	-----	-------	--	----------------	---



Completely stainless steel shelf reliable with crossbar for external air conditioners

KLIMA INOX



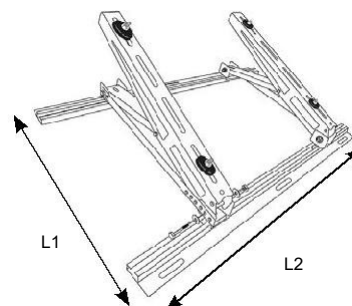
Product	Art. No	Arm length L1 [mm]	Height L2 [mm]	Length crossbar L3 [mm]	Thickness bracket s	Contains	Packaging [pz]
		KLIMA INOX	521764	450	400		

Shelf for outdoor air conditioners KLIMA

TECHNICAL DATA



Roof bracket for external air conditioners with inclination from 15 to 30,
KLIMA ROOF



Product	Art. No	Length Arm L1 [mm]	Length Crossbar L2 [mm]	Contains	Color	Packaging [pz]
KLIMA ROOF	541877	520	850	1 KLIMA ROOF support	White RAL 9002	1

TECHNICAL DATA



Anti-vibration base **KLIMA FOOT**



Anti-vibration base **KLIMA GROUND**

Product	Art. No	Length L1 [mm]	Contains	Packaging [pz]
KLIMA FOOT 400	524497	400	1 pair of anti-vibration bases KLIMA FOOT	1
KLIMA GROUND 350	524498	350	1 pair of anti-vibration bases KLIMA GROUND	1
KLIMA GROUND 450	524499	450	1 pair of anti-vibration bases KLIMA GROUND	1

Shelf for outdoor air conditioners KLIMA

ACCESSORIES



Anti-vibration foot



Anti-vibration foot on the floor



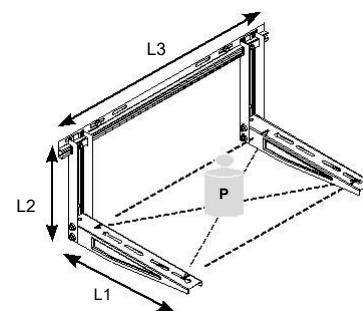
Envelope kit

Product	Art. No	Package with	Packaging [pz]
Anti-vibration foot	524493	4 anti-vibration feet M8	1
Anti-vibration foot on the floor	524494	4 vibration damping feet M8	1
Kit Busta	524496	4 SX 12 BM dowels with stainless steel screw	1

LOADS

Fixing shelves for air conditioners Klima

Recommended loads¹⁾for complete shelf.



	KLIMA EASY KLIK	KLIMA KLIK	KLIMA STRONG P [kN]	KLIM A HEAVY P [kN]	KLIMA TOP P [kN]	KLIMA INOX P [kN]	
Recommended shelf loads for the corresponding Fracc2 base material)							
Concrete	C20/25	1,00	1,00	2,00	3,00	1,00	2,00

¹⁾ Partial safety factor is included.

²⁾ For different supports it is necessary to characterize the bearing capacity of the material with in situ tests.